

# Technical data sheet



## Product features

### Cooking range electric 4x plate on open cabinet 400 V

<b>Model</b>	<b>SAP Code</b>	00009404
SPF 80 E	<b>A group of articles - web</b>	Stoves



- Device type: Electric unit
- Power consumption of the zone 1 [kW]: 2,5
- Power consumption of the zone 2 [kW]: 2,5
- Power consumption of the zone 3 [kW]: 2,5
- Power consumption of the zone 4 [kW]: 2,5
- Protection of controls: IPX4

<b>SAP Code</b>	00009404	<b>Loading</b>	400 V / 3N - 50 Hz
<b>Net Width [mm]</b>	800	<b>Number of zones</b>	4
<b>Net Depth [mm]</b>	700	<b>Power consumption of the zone 1 [kW]</b>	2,5
<b>Net Height [mm]</b>	866	<b>Power consumption of the zone 2 [kW]</b>	2,5
<b>Net Weight [kg]</b>	83.00	<b>Power consumption of the zone 3 [kW]</b>	2,5
<b>Power electric [kW]</b>	12.000	<b>Power consumption of the zone 4 [kW]</b>	2,5

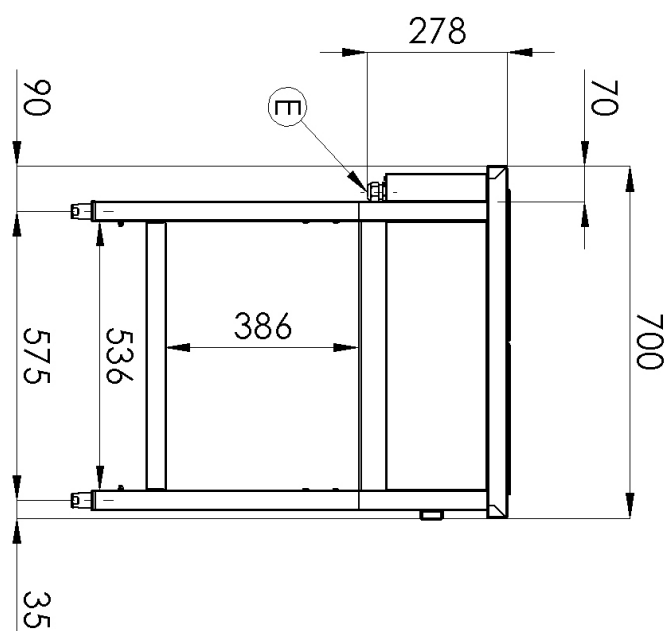
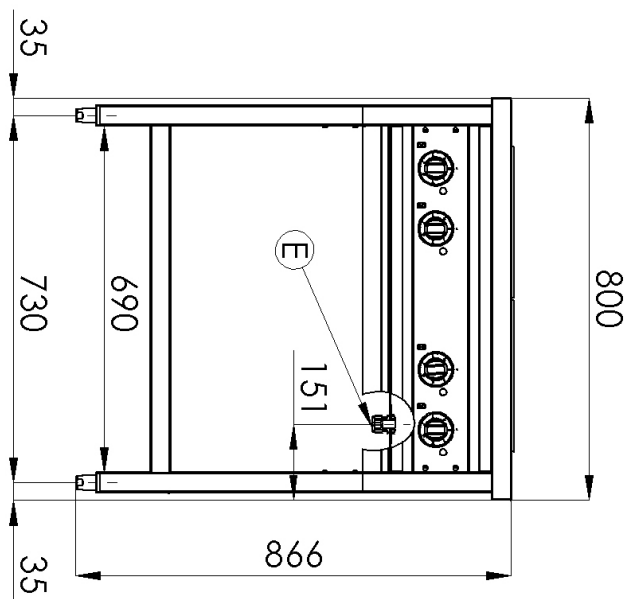
# Technical data sheet



Technical drawing

Cooking range electric 4x plate on open cabinet 400 V

<b>Model</b>	<b>SAP Code</b>	00009404
SPF 80 E	<b>A group of articles - web</b>	Stoves



# Technical data sheet



## Technical parameters

### Cooking range electric 4x plate on open cabinet 400 V

<b>Model</b>	<b>SAP Code</b>	00009404
SPF 80 E	<b>A group of articles - web</b>	Stoves

**1. SAP Code:**

00009404

**2. Net Width [mm]:**

800

**3. Net Depth [mm]:**

700

**4. Net Height [mm]:**

866

**5. Net Weight [kg]:**

83.00

**6. Gross Width [mm]:**

840

**7. Gross depth [mm]:**

800

**8. Gross Height [mm]:**

1065

**9. Gross Weight [kg]:**

94.00

**10. Device type:**

Electric unit

**11. Construction type of device:**

With substructure

**12. Power electric [kW]:**

12.000

**13. Loading:**

400 V / 3N - 50 Hz

**14. Protection of controls:**

IPX4

**15. Indicators:**

operation

**16. Worktop material:**

AISI 304

**17. Worktop Thickness [mm]:**

1.00

**18. Number of zones:**

4

**19. Power consumption of the zone 1 [kW]:**

2,5

**20. Power consumption of the zone 2 [kW]:**

2,5

**21. Power consumption of the zone 3 [kW]:**

2,5

**22. Power consumption of the zone 4 [kW]:**

2,5

**23. Maximum device temperature [°C]:**

400

**24. Minimum device temperature [°C]:**

50

**25. Number of power control stages:**

6

**26. Adjustable feet:**

Yes

**27. Number of burners/hot plates:**

4

**28. Type of electric cooking zones:**

Squared

# Technical data sheet



Technical parameters

## Cooking range electric 4x plate on open cabinet 400 V

<b>Model</b>	<b>SAP Code</b>	00009404
SPF 80 E	<b>A group of articles - web</b>	Stoves

### 29. Cross-section of conductors CU [mm<sup>2</sup>]:

4